

# PURETECH

UVH080x35-Ø8

EAN 4031582323627

Wheel center made of Polyamide, Tread: solid rubber, black, plain bearing, with threadguards,



BETTER MOBILITY. BETTER LIFE.

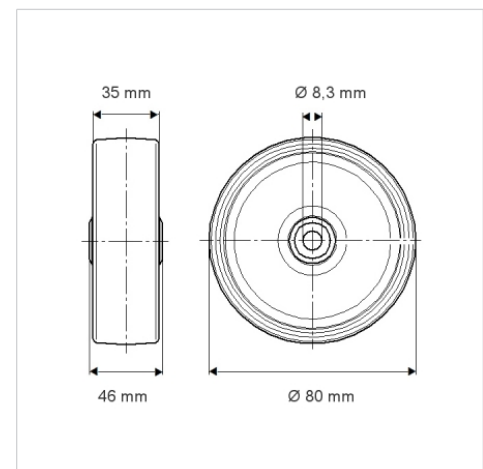


Picture may differ from original product

## Technical Data

|                         |                |
|-------------------------|----------------|
| Wheel diameter          | 80 mm          |
| Wheel width             | 35 mm          |
| Axle Hole-Ø             | 8.3 mm         |
| Hub length              | 46 mm          |
| Temperature             | - 20 / + 80 °C |
| Standard                | EN 12532       |
| Weight                  | 0.218 kg       |
| Hardness of tread       | Shore D 39     |
| Load capacity (dynamic) | 100 kg         |
| Load capacity (static)  | 200 kg         |

## Dimensions



## Advantages at a glance

|                      |           |
|----------------------|-----------|
| Roll performance     | ● ● ● ○ ○ |
| Movement noise       | ● ● ● ○ ○ |
| Attrition            | ● ● ○ ○ ○ |
| Corrosion resistance | ● ● ● ○ ○ |