

# MAXTECH

XSC100x32-Ø8

EAN 4031582323658

Wheel centre made of Polyamide, electric conductive, tread made of Polyurethane, with threadguards, precision ball bearing, stainless



BETTER MOBILITY. BETTER LIFE.

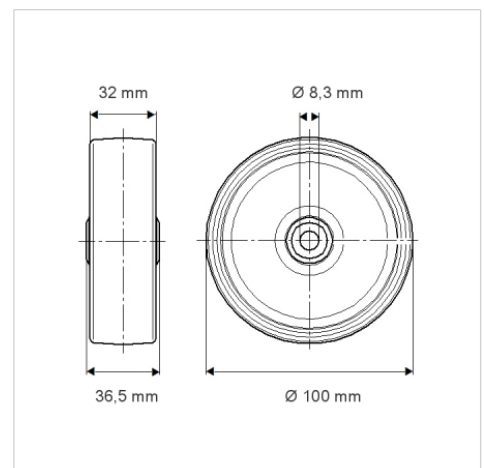


Picture may differ from original product

## 기술 데이터

휠 직경	100 mm
휠 폭	32 mm
축 홀-Ø	8.3 mm
허브 길이	36.5 mm
온도	- 25 / + 80 °C
표준	EN 12530
무게	0.237 kg
트레드 경도	Shore D 40
동하중	150 kg
정지하중	300 kg

## Dimensions



## Advantages at a glance

롤 저항성	● ● ● ○ ○
이동 소음	● ● ● ○ ○
마찰	● ● ● ○ ○
부식 방지	● ● ● ○ ○