

MAXTECH

XSC150x32-Ø8

EAN 4031582323672

Wheel centre made of Polyamide, electric conductive, tread made of Polyurethane, with threadguards, precision ball bearing, stainless



BETTER MOBILITY. BETTER LIFE.

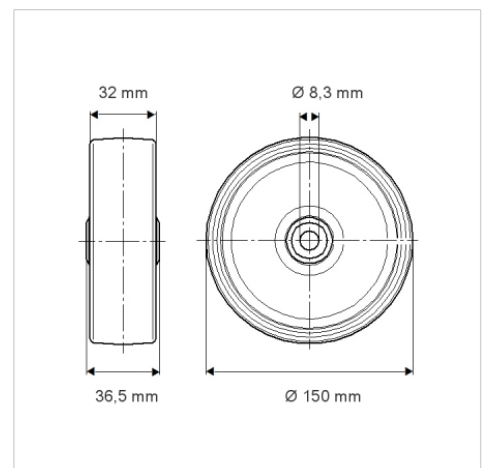


Picture may differ from original product

기술 데이터

휠 직경	150 mm
휠 폭	32 mm
축 홀-Ø	8.3 mm
허브 길이	36.5 mm
온도	- 25 / + 80 °C
표준	EN 12530
무게	0.45 kg
트레드 경도	Shore D 40
동하중	160 kg
정지하중	320 kg

Dimensions



Advantages at a glance

롤 저항성	● ● ● ○ ○
이동 소음	● ● ● ○ ○
마찰	● ● ● ○ ○
부식 방지	● ● ● ○ ○